



SINCE 1976

# SHOWFOU PUMP

## SUBMERSIBLE DRAINAGE PUMP

### 修附電機



標檢局

ISO-9001/CNS12681

### SC/SF

一般污水用

### SCA/SFA

自動浮球污水用

SC/SF

Drainage pump

SCA/SFA

Automatic drainage pump



SC 1/3HP~1HP



SCA 1/3HP~1HP



SF 1/3HP~3HP



SFA 1/3HP~1HP

修附電機股份有限公司

SHOWFOU ELECTRIC MACHINE CO., LTD.

CAT. NO.: C0208-6

# SC -- SUBMERSIBLE DRAINAGE PUMP

# SCA -- AUTOMATIC SUBMERSIBLE DRAINAGE PUMP

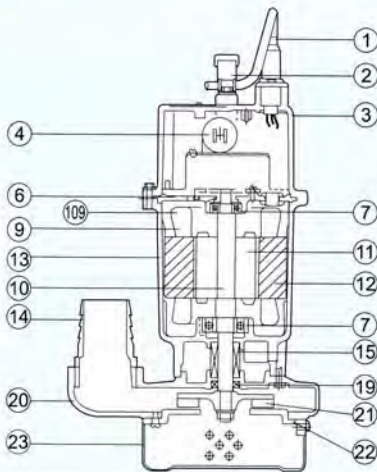
## FEATURES:

- A. Motor: Dry motor with level of protection IP 68, suitable for continuous duty.
- B. Thermal Protector: Single phase model built-in thermal protector prevents any burning damage to the motor.
- C. Pump Casing: Tough cast iron casing guarantees high pumping efficiency.
- D. Impeller: Excellent durability, semi-open type impeller design, prevents clogging by mud, sand, etc.
- E. Suction Cover: Easily replaceable.
- F. Triplex Seals: Equipped with double mechanical seal with one oil seal.

## APPLICATION:

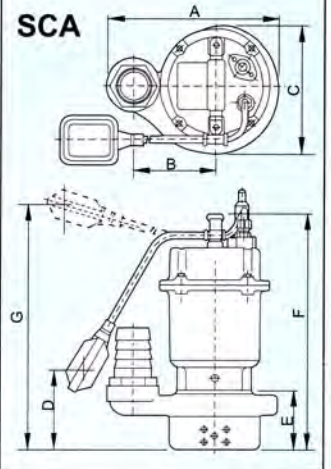
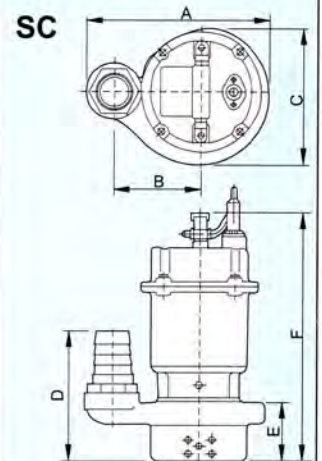
- 1. Civil engineering & construction.
- 2. Fountains and water features
- 3. Tunnel & caisson drainage.
- 4. Agricultural irrigation.
- 5. Drainage of seepage water, pumping of rain waste water, draining of environments, bathing and swimming pools, industrial applications

## CONSTRUCTIONS:



NO.	PARTS LIST	MATERIAL
1	Cable	V. C. T.
2	Handle	Stainless Steel
3	Motor Head Cover	Cast Iron
4	Condenser	1ø only
6	Upper Bracket	1ø only
7	Upper Ball Bearing	Cast Iron
9	Coil	
10	Shaft	Stainless Steel
11	Rotor	Steel Plate
12	Stator	Steel Plate
13	Motor Casing	Cast Iron
14	Hose Coupling	Plastic
15	Mechanical Seal	Ceramic-Carbon
19	Oil Seal	Synthetic Rubber
20	Pump Casing	Cast Iron
21	Impeller	Cast Iron
22	Suction Cover	Cast Iron
23	Strainer	Steel
24	Float Switch	Only for SCA

## DIMENSIONS

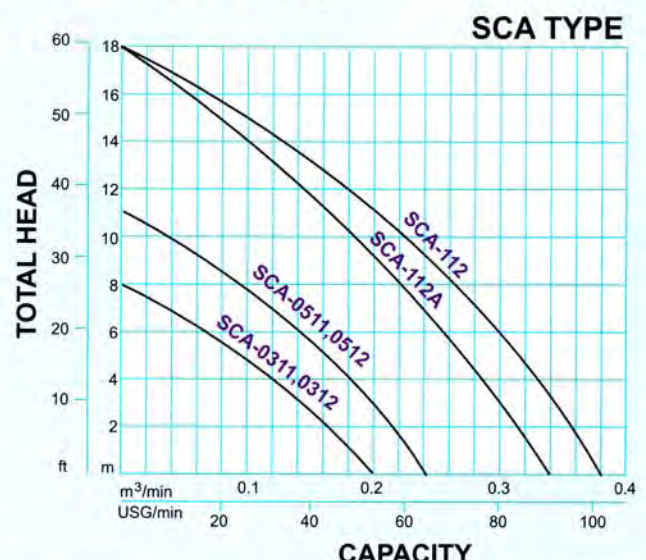
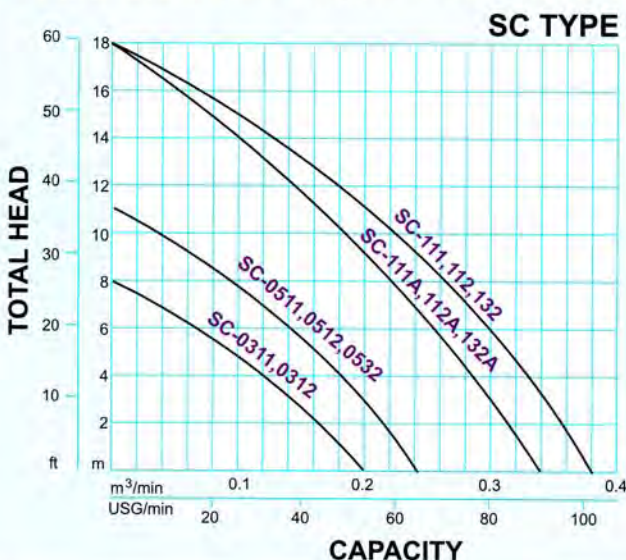


## SPECIFICATIONS 50Hz/60Hz

## DIMENSIONS

型式 TYPE	電動機 MOTOR			抽水機 PUMP			電纜重量		Spherical Solid Handling	尺寸 SIZE								
	Power KW	Phase HP	Volt PH	Disch. Dia. mm	Max. Head inch	Max. Flow M <sup>3</sup> /MIN	Cable mm <sup>2</sup> xM	Weight KG		A	B	C	D	E	F	G		
<b>DRAINAGE PUMP</b>																		
SC-0311	0.25	1/3	1	110	40	1 1/2"	8	0.20	1.25 <sup>2</sup> x6	15	7	225	110	170	163	80	350	
SC-0312				220														
SC-0511	0.4	1/2	3	110	50	2"	11	0.24	1.25 <sup>2</sup> x6	18	7	255	120	190	165	85	410	
SC-0512				220														
SC-0532				220-440														
SC-111A	0.75	1	1	110	50	2"	18	0.34	2 <sup>2</sup> x6	26	7	255	120	190	165	85	430	
SC-112A				220														
SC-132A				220-440														
SC-111				110														
SC-112	220	80	3"	18	0.38	2 <sup>2</sup> x6	28	7	310	125	210	225	95	430				
SC-132	220-440																	
<b>AUTOMATIC DRAINAGE PUMP</b>																		
SCA-0311	0.25	1/3	1	110	40	1 1/2"	8	0.20	1.25 <sup>2</sup> x6	15	7	225	110	170	85	80	350	400
SCA-0312				220														
SCA-0511	0.4	1/2	1	110	50	2"	11	0.24	1.25 <sup>2</sup> x6	18	7	255	120	190	90	85	410	450
SCA-0512				220														
SCA-112A				220														
SCA-112	220	80	3"	18	0.38	2 <sup>2</sup> x6	28	7	310	155	210	100	95	430	480			

## PERFORMANCE CURVE 50Hz (RPM: 3000) / 60 Hz (RPM: 3600)



# SF -- SUBMERSIBLE DRAINAGE PUMP SFA -- AUTOMATIC SUBMERSIBLE DRAINAGE PUMP

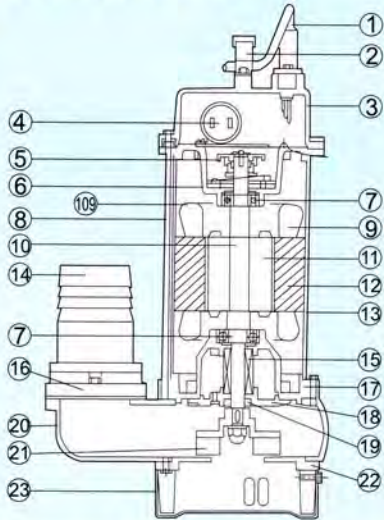
## FEATURES:

1. Mini size light-weight , best quality among similar type.
2. The housing of motor and screws are manufactured with stainless steel.
3. The pumping performance is better, electricity-saving. The water volume is large and its usage and maintenance are very convenient.
4. Supplied with float level switch in the Automatic version - SFA type.

## APPLICATION:

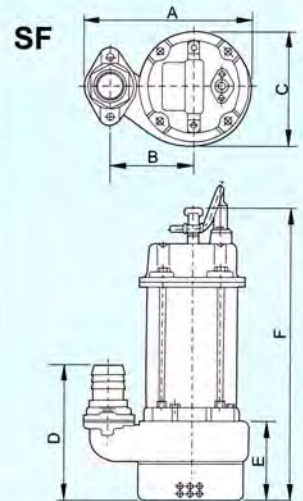
1. Civil engineering & construction.
2. Fountains and water features
3. Tunnel & caisson drainage.
4. Agricultural irrigation.
5. Drainage of seepage water, pumping of rain waste water, draining of environments, bathing and swimming pools, industrial applications

## CONSTRUCTIONS:



NO.	PARTS LIST	MATERIAL
1	Cable	V. C. T.
2	Handle	Stainless Steel(1/2-3HP)
3	Motor Head Cover	Cast Iron
4	Condenser	1ø only
5	Centrifugal Switch	1ø only
6	Upper Bracket	Cast Iron
7	Upper Ball Bearing	
8	Bolt	Stainless Steel
9	Coil	
10	Shaft	Stainless Steel
11	Rotor	Steel Plate
12	Stator	Steel Plate
13	Motor Casing	Stainless Steel
14	Hose Coupling	Plastic & Cast Iron
15	Mechanical Seal	Ceramic-Carbon
16	Flange Setter	Cast Iron
17	Motor Lower Cover	Cast Iron
18	Mechanical Seal Cover	Plastic / Cast Iron
19	Oil Seal	Synthetic Rubber
20	Pump Casing	Cast Iron
21	Impeller	Cast Iron / Bronze
22	Suction Cover	Cast Iron
23	Strainer	Plastic (1/3HP& 1/2HP) Stainless Steel (1-3HP)
24	Float Switch	Only for SFA

## DIMENSIONS



## SPECIFICATIONS 50Hz/60Hz

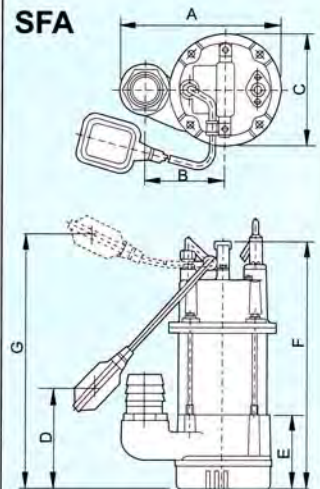
## DIMENSIONS

型式 TYPE	電動機 MOTOR			抽水機 PUMP			電纜 Cable	重量 Weight	Sopherical Solid Handing	尺寸 SIZE							
	Power KW	Phase HP	Volt V	Disch. Dia. mm	Max. Head inch	Max. Flow M <sup>3</sup> /MIN				Weight KG	A	B	C	D	E	F	G
<b>DRAINAGE PUMP</b>																	
SF-0311N	0.25	1/3	1	110	40	1 1/2"	8	0.20	1.25 <sup>2</sup> x6	9	4	200	100	140	155	75	340
SF-0312N				220													
SF-0511N	0.4	1/2	1	110	50	2"	10	0.22	1.25 <sup>2</sup> x6	11	4	215	120	155	161	80	355
SF-0512N				220													
SF-0532N			3	220-440													
SF-111AN			1	110	50	2"	16	0.35	2 <sup>2</sup> x6	21	6	265	130	190	180	85	460
SF-112AN			3	220													
SF-132AN	0.75	1	3	220-440													
SF-111N			1	110	80	3"	10	0.65	2 <sup>2</sup> x6	24	6	300	150	190	240	125	505
SF-112N			3	220													
SF-132N			3	220-440													
SF-212N	1.5	2	1	220	100	4"	13	1.10	3.5 <sup>2</sup> x10	35	9	385	192	225	280	130	545
SF-232N			3	220-440						30		385	192	225	280	130	440
SF-312	2.2	3	1	220	125	5"	15	1.50	3.5 <sup>2</sup> x10	48	9	410	200	240	300	140	585
SF-332			3	220-440						46		410	200	240	300	140	485

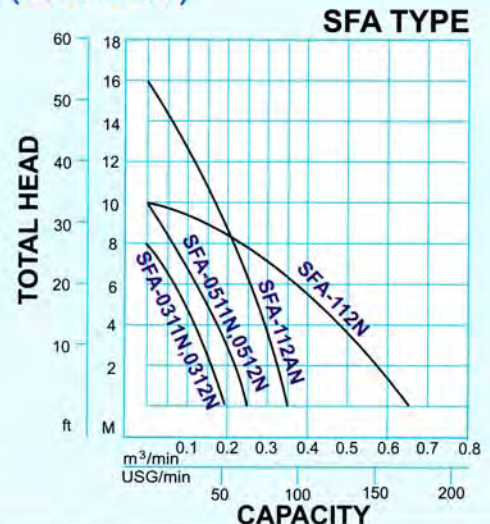
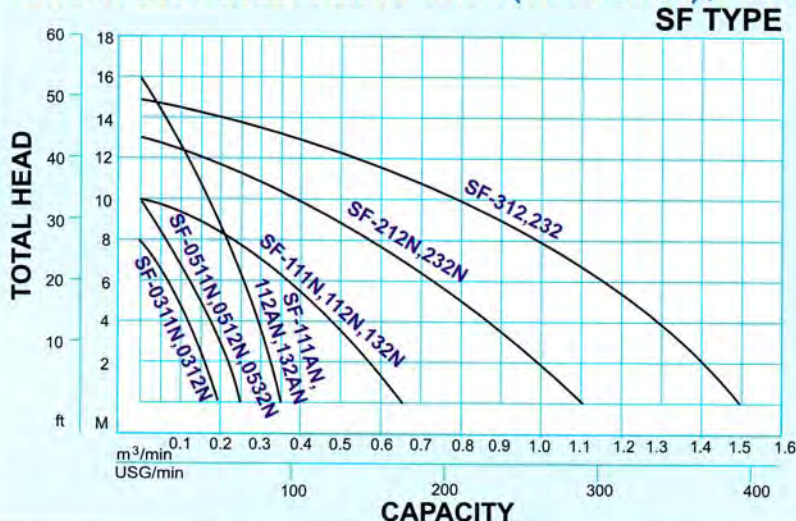
## AUTOMATIC DRAINAGE PUMP

SFA-0311N	0.25	1/3	1	110	40	1 1/2"	8	0.20	1.25 <sup>2</sup> x6	9	4	200	100	140	80	75	340	425
SFA-0312N				220														
SFA-0511N	0.4	1/2	1	110	50	2"	10	0.22	1.25 <sup>2</sup> x6	11	4	235	120	155	85	80	355	450
SFA-0512N				220														
SFA-112AN	0.75	1	1	220	50	2"	16	0.35	2 <sup>2</sup> x6	21	6	265	130	190	90	85	460	500
SFA-112N				220	80	3"	10	0.65	2 <sup>2</sup> x6	24	6	300	150	190	100	125	505	550

## SFA



## PERFORMANCE CURVE 50Hz (RPM: 3000) / 60 Hz (RPM: 3600)



# 幫浦特性試驗表

電腦編號：1SC-0106122202

型式：SC-112A

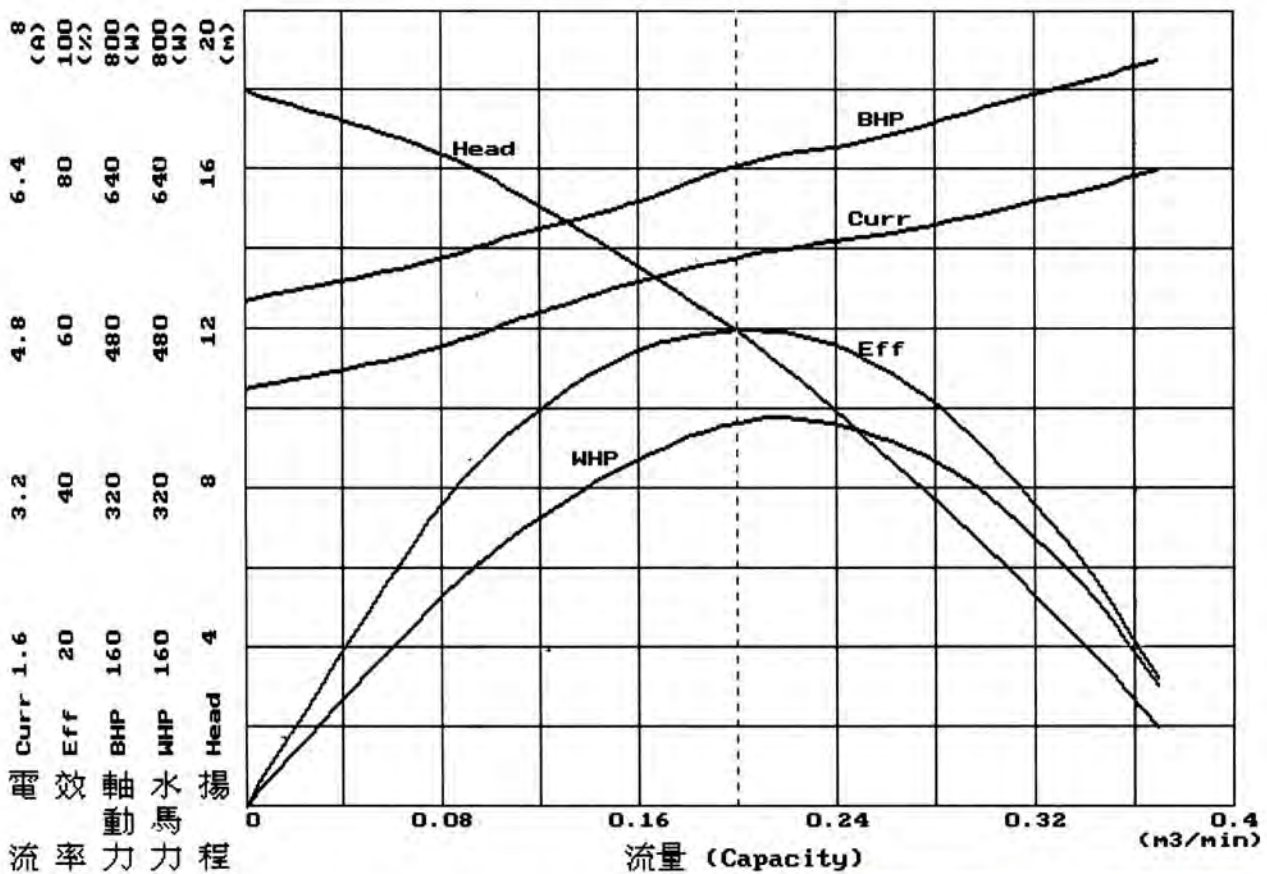
印表日期：95年09月01日

試驗日期：95年09月01日

電動機	週率 (Hz)	馬力 (HP)	電壓 (V)	相數 (PH)	電流 (A)	極數 (P)	回轉速 RPM	幫浦	口徑 (mm)	葉輪開放式	葉輪封閉式
MOTOR	60	1	220	1	7	2	3600	PUMP	50	✓	

試驗液體：(清水) 吐出量測定方式：\_\_\_\_\_ 常溫：32.2℃ 水溫：29.8℃

測試點	流量 m <sup>3</sup> /min	揚程 m	電 動 機 MOTOR				幫 浦 PUMP		
			電 壓 V	電 流 A	入 力 (Pin) KW	出 力 (BHP) KW	水 馬 力 (WHP) KW	效 率 %	
1	0.37	2.0	220	6.4	1.12	0.75	0.12	16.1	
2	0.25	9.4	220	5.7	0.99	0.66	0.38	57.7	
3	0.21	11.7	220	5.6	0.98	0.66	0.40	61.0	
4	0.20	12.0	220	5.5	0.97	0.65	0.39	60.4	
5	0.18	12.7	220	5.4	0.94	0.63	0.37	59.2	
6	0.00	18.0	220	4.2	0.76	0.51	0.00	0.0	



修附電機股份有限公司  
SHOWFOU ELECTRIC MACHINE CO., LTD.

廠 長	課 長	品管主管	品管員
邱萬成	李進川	李進川	許鏡瑛

修附電機股份有限公司  
SHOWFOU ELECTRIC MACHINE CO., LTD.

高雄縣岡山鎮(82059)本工路66號  
No. 66, Bengong Road, Gangshan  
Kaohsiung County 82059, Taiwan  
Tel No.: (07) 6226590  
Fax No.: +886-7-6226593  
e-mail: showfou@ms11.hinet.net  
http ://www.showfoupump.com

PT. LUKES INDONESIA

Lindeteves Trade Center Lt UG, Blok B1 No. 6  
Jalan Hayam Wuruk, Jakarta - Indonesia  
Phone : 021 - 6231 7842, 628 5144  
Fax : 021 - 6231 0499  
email : lukes@cbn.net.id



All specifications subject to change without notice.